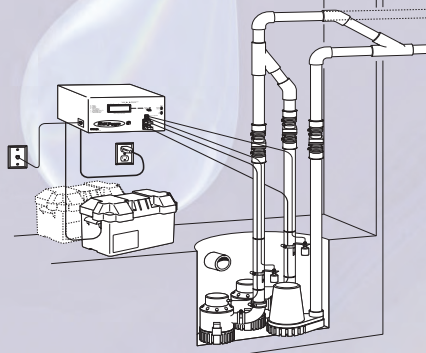
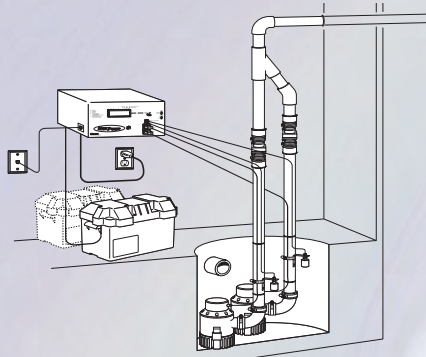


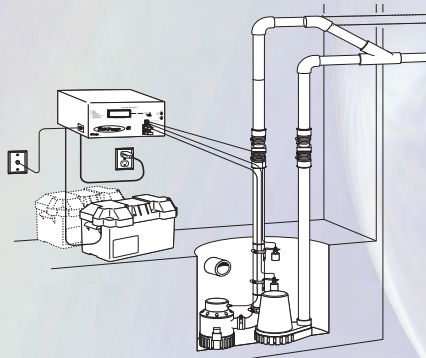
Installation Methods



The NexPump Ai5600 System in the above diagram is installed along with your current electric sump pump. The NexPump Ai System can operate in the backup or primary mode when using this installation method.**



The NexPump Ai5600 System is installed as the only sump pump and operating in the primary mode.



The NexPump Ai2800 System is installed as a backup sump pump to your electric pump and operating in the backup mode.

** The high capacity pumps provided with the NexPump Ai System can be stacked on top of one another for installations with a narrow sump well.

Contact Us

NexPump.ca Ltd. is the Canadian based distributor for the NexPump Ai System. We are certain you will be pleased with the outstanding quality, reliability and performance of our product. The NexPump Ai System has been tested and proven effective in extreme conditions when needed most. NexPump Inc. is working to provide you with the most innovative designs to fit your needs.

NexPump.ca Ltd.
113 Winniett St.
Woodstock ON N4S 8X8

1-877-801-My-Ai (6924)
Fax: 519-421-9301

info@NexPump.ca
www.NexPump.ca

Your Local Installer:

For more information about purchasing a NexPump Ai System, installation instructions or a PDF manual, please visit us on-line at www.NexPump.ca or call 1-877-801-My-Ai (6924)

NEXPUMP.CA

A.i. FLOOD PROTECTION
1-877-801-My-Ai (6924)



NEXPUMP.CA

Perceive. Prevent. Inform.

Key Features

- AUTO NOTIFICATION SYSTEM
- AUTOMATIC SELF-TESTING
- OPERATES ON ELECTRICITY
- OPERATES ON 12V BATTERY IF ELECTRIC FAILS
- DUAL HIGH CAPACITY PUMPS
- DUAL SENSORS
- ADVANCED MICROPROCESSOR CONTROLLED
- 5600 GALLONS PER HOUR
- ADVANCED LOGIC DESIGN
- 20-AMP BATTERY CHARGER
- PRIMARY OR BACKUP MODES
- HIGH-TECH BATTERY LIFE MONITORING SYSTEM
- PLUMBING ALERT SYSTEM
- PUMP HOUR TRACKING
- USER FRIENDLY LCD DISPLAY
- AUDIBLE ALARM
- EASY INSTALLATION

NexPump Technology

- **Self-testing every 12 hours:**
Components checked and pumps exercised for proper operation
- **Advanced Real-time Diagnosing:**
Logic detects plumbing problems, sensor errors and much more...
- **Notification:**
You receive phone calls and emails to let you know of possible failures or alerts.
- **24/7 Monitoring:**
Vacationing or working, NexPump Ai will keep you informed of issues.
- **Dual Pumps:**
Full redundancy and high capacity only on the NexPump Ai!
- **Dual Sensors:**
Redundancy, High Water alert system only on the NexPump Ai!
- **Dual Batteries:**
NexPump Ai will support dual battery connections for twice the running time.
- **3 year Limited Warranty**
- **Patent Pending Design**

Why own a NexPump System ?

- PROTECTING YOUR INVESTMENT
- MINIMIZE FLOODING RISK
- 24/7 MISSION CRITICAL RELIABILITY
- 24/7 AUTO NOTIFICATION SYSTEM
- PEACE OF MIND
- 3-YEAR LIMITED WARRANTY



NexPump Ai System

Ai5600-AN Included Items:

- 1 - NexPump Ai System Unit
- 2 - 4000 GPH High Capacity Pumps
- 2 - Sensors with SS Mounting Clamps
- 1 - Users Manual
- 1 - Dual Battery Extension Cable



Ai2800-AN Included Items:

- 1 - NexPump Ai System Unit
- 1 - 4000 GPH High Capacity Pumps
- 2 - Sensors with SS Mounting Clamps
- 1 - Users Manual
- 1 - Dual Battery Extension Cable



Available Models:

- Ai5600-AN, Dual Pumps with Notification
- Ai5600, Dual Pumps without Notification
- Ai2800-AN, Single Pump with Notification
- Ai2800, Single Pump without Notification

NexPump VS Competition

Gallons Per Minute

93 GPM, On Electric Power

NexPump Ai System

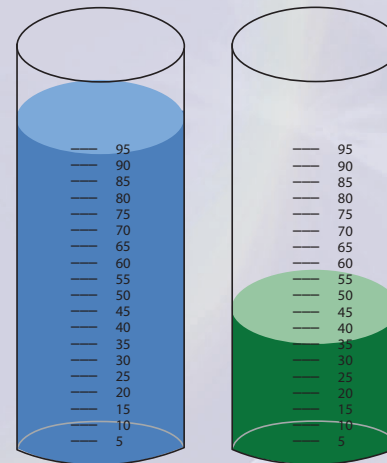
75 GPM, On Battery Power

35 GPM

Leading Retail Product

7-10 GPM

Water Powered Products



Total Gallons Pumped on Single Charge

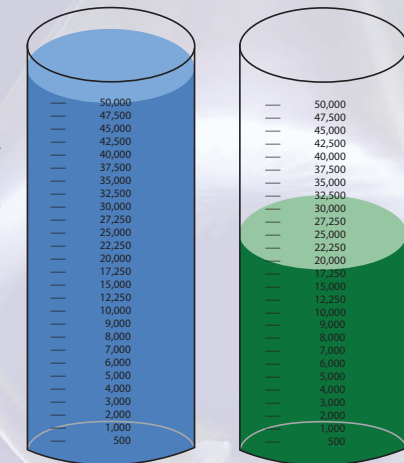
50,000+ Gallons

NexPump Ai System

Estimated Time on Battery
184 Hours
Pump ON every 5 minutes
(Two 130 Amp Batteries)

18,000 Gallons

Leading Retail Product



For more information about purchasing a NexPump Ai System call 1-877-801-My-Ai (6924) or visit our website at www.NexPump.ca